

# BC6, BC7 3-pole interface mini contactors – with screw terminals

## 4 to 5.5 kW

### DC operated

3



2CDC21104P0011

BC6-30-10



2CDC21109P0011

BC7-30-10

### Description

BC6, BC7 3-pole interface mini contactors are compact control products mainly used for switching resistive or motor loads up to 690 V AC.

These contactors are designed with:

- 3 main poles and one built-in auxiliary contact
- control circuit: DC operated, very low coil consumption. Suitable for direct control by PLC outputs
- hum-free coil
- no auxiliary contact block permitted for mounting
- designed for rail or wall mounting

### Ordering details

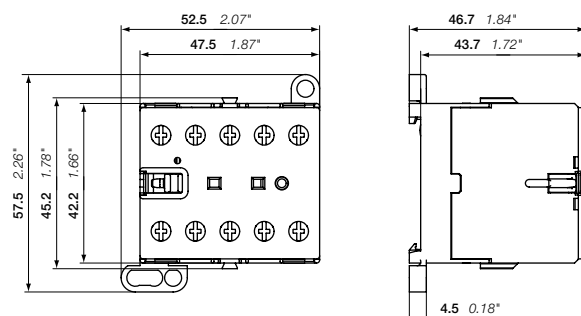
IEC	UL/CSA	Rated control circuit voltage $U_c$	Auxiliary contacts fitted	Type	Order code	Pkg qty	Weight (1 pce)
Rated operational power	3-phase motor rating $\theta \leq 40^\circ\text{C}$	General use rating					
400 V AC-3 kW	AC-1 A	hp	V DC				kg
<b>DC operation 24 V / 1.4 W</b>							
4	20	3	300 V / 12 A	24	1 0 BC6-30-10-1.4-81 0 1 BC6-30-01-1.4-81	GJL1213001R8101	10 0.175
5.5	20	5	600 V / 16 A	24	1 0 BC7-30-10-1.4-81 0 1 BC7-30-01-1.4-81	GJL1313001R8101	10 0.175
<b>DC operation 17 ... 32 V / 2.4 W</b>							
4	20	3	300 V / 12 A	17 ... 32	1 0 BC6-30-10-2.4-51 0 1 BC6-30-01-2.4-51	GJL1213001R5101	10 0.175
5.5	20	5	600 V / 16 A	17 ... 32	1 0 BC7-30-10-2.4-51 0 1 BC7-30-01-2.4-51	GJL1313001R5101	10 0.175

### Connection to PLCs with integrated protective circuit

<b>DC operation 24 V / 1.7 W</b>							
4	20	3	300 V / 12 A	24	1 0 B6S-30-10-1.7-71 0 1 B6S-30-01-1.7-71	GJL1213001R7101	10 0.175
5.5	20	5	600 V / 16 A	24	1 0 B7S-30-10-1.7-71 0 1 B7S-30-01-1.7-71	GJL1313001R7101	10 0.175
<b>DC operation 17 ... 32 V / 2.8 W</b>							
4	20	3	300 V / 12 A	17 ... 32	1 0 B6S-30-10-2.8-72 0 1 B6S-30-01-2.8-72	GJL1213001R7102	10 0.175
5.5	20	5	600 V / 16 A	17 ... 32	1 0 B7S-30-10-2.8-72 0 1 B7S-30-01-2.8-72	GJL1313001R7102	10 0.175

Other types on request

### Main dimensions mm, inches



BC6, BC7